



Centers for Medicare & Medicaid Services (CMS)

## Standard Companion Guide

Health Care Claim: Dental (837D)

Based on ASC X12N TR3, Version 005010X224A2

Companion Guide Version Number: 1.0,  
May 2024

## **Disclosure Statement**

The Centers for Medicare & Medicaid Services (CMS) is committed to maintaining the integrity and security of health care data in accordance with applicable laws and regulations. Disclosure of Medicare claims is restricted under the provisions of the Privacy Act of 1974 and Health Insurance Portability and Accountability Act of 1996. This Companion Guide is to be used for conducting Medicare business only.

## Preface

This Companion Guide (CG) to the ASC X12N Technical Report Type 3 (TR3) Version 005010 and associated errata adopted under Health Insurance Portability and Accountability Act of 1996 (HIPAA) clarifies and specifies the data content when exchanging transactions electronically with Medicare. Transmissions based on this CG, used in tandem with the TR3, are compliant with both ASC X12N syntax and those guides. This CG is intended to convey information that is within the framework of the TR3 adopted for use under HIPAA. This CG is not intended to convey information that in any way exceeds the requirements or usages of data expressed in the TR3.

This CG contains instructions for electronic communications with the publishing entity, as well as supplemental information, for creating transactions while ensuring compliance with the associated ASC X12N TR3s and the Council for Affordable Quality Healthcare – Committee on Operating Rules for Information Exchange (CAQH CORE) companion guide operating rules.

In addition, this CG contains the information needed by Trading Partners to send and receive electronic data with the publishing entity, who is acting on behalf of CMS, including detailed instructions for submission of specific electronic transactions. The instructional content is limited by ASC X12N's copyrights and Fair Use statement.

# Table of Contents

Disclosure Statement.....	ii
Preface .....	iii
1 Introduction .....	1
1.1 Scope .....	1
1.2 Overview.....	1
1.3 References.....	2
1.4 Additional Information .....	3
2 Getting Started.....	3
2.1 Working Together.....	3
2.2 Trading Partner Registration .....	4
2.3 Trading Partner Certification and Testing Process .....	6
3 Testing and Certification Requirements .....	6
3.1 Testing Requirements.....	6
3.2 Certification Requirements .....	7
4 Connectivity / Communications.....	8
4.1 Process Flows.....	8
4.2 Transmission.....	9
4.2.1 Re-transmission Procedures.....	9
4.3 Communication Protocol Specifications .....	9
4.3.1 Novitasphere Portal.....	9
4.3.2 Secure File Transfer Protocol (SFTP) .....	9
4.4 Security Protocols and Passwords.....	9
4.4.1 System Logins .....	11
4.4.2 Guidelines for Creating a “Good” Password .....	11
5 Contact Information.....	12
5.1 EDI Customer Service .....	12
5.2 Trading Partner Service Number .....	13
5.3 Applicable Websites / Email .....	13
6 Control Segments / Envelopes.....	13
6.1 ISA-IEA .....	15
Delimiters – Inbound Transactions .....	15
Delimiters – Outbound Transactions .....	15
Inbound Data Element Detail and Explanation .....	16
6.2 GS-GE .....	16
6.3 ST-SE .....	16
7 Specific Business Rules.....	16
7.1 General Notes.....	16

7.2	General Transaction Notes .....	18
8	Acknowledgments and Reports .....	19
8.1	Report Inventory .....	19
8.1.1	File Naming Convention for EDI Reports.....	20
9	Trading Partner Agreement .....	21
10	Transaction-Specific Information.....	21
10.1	Header .....	21
10.1.1	Header and Information Source.....	21
10.1.2	Loop 1000A Submitter Name .....	22
10.1.3	Loop 1000B Receiver Name .....	23
10.2	Billing Provider.....	23
10.2.1	Loop 2000A Billing Provider Detail.....	23
10.2.2	Loop 2010AA Billing Provider Name .....	23
10.2.3	Loop 2010AA Billing Provider City, State, Zip Code .....	24
10.3	Subscriber Detail.....	24
10.3.1	Loop 2000B Subscriber Hierarchical Level .....	24
10.3.2	Loop 2010BA Subscriber Name .....	25
10.3.3	Loop 2010BB Payer Name .....	26
10.4	Patient Detail .....	27
10.4.1	Loop 2300 Claim Information.....	27
10.4.2	Loop 2310A Referring Provider Name .....	29
10.4.3	Loop 2310B Rendering Provider Name .....	29
10.4.4	Loop 2310C Service Facility Location .....	29
10.4.5	Loop 2310E Supervising Provider Name .....	30
10.4.6	Loop 2320 Other Subscriber Information .....	30
10.4.7	Loop 2330A Other Subscriber Name.....	31
10.4.8	Loop 2330B Other Payer Name.....	32
10.4.9	Loop 2400 Service Line Number.....	32
10.4.10	Loop 2420A Rendering Provider Name.....	33
10.4.11	Loop 2420C Supervising Provider Name .....	33
10.4.12	Loop 2420D Service Facility Location .....	34
10.4.13	Loop 2430 Line Adjudication Information.....	34
10.4.14	Transaction Set Trailer .....	35
11	Appendices.....	35
11.1	Implementation Checklist .....	35
11.2	Frequently Asked Questions.....	36
11.3	Acronym Listing .....	37
11.4	Change Summary.....	39

## List of Tables

Table 1. EDI Transactions and Code Set References.....	2
Table 2. Additional EDI Resources .....	3
Table 3. Approved SFTP Software.....	10
Table 4. ISA Interchange Control Header .....	13
Table 5. GS Functional Group Header.....	14
Table 6. Outbound Transaction Delimiters.....	16
Table 7. Segment / Elements Not Accepted by Medicare .....	17
Table 8. Reports .....	19
Table 9. Naming Convention for EDI Reports .....	20
Table 10. EDI Reports and File Names .....	21
Table 11. ST Transaction Set Header .....	22
Table 12. BHT Beginning of Hierarchical Transaction.....	22
Table 13. Loop 1000A NM1 Submitter Name.....	22
Table 14. Loop 1000B NM1 Receiver Name .....	23
Table 15. Loop 2000A Billing Provider Detail.....	23
Table 16. Loop 2010AA NM1 Billing Provider Name .....	24
Table 17. Loop 2010AA N4 Billing Provider City, State, Zip code .....	24
Table 18. Loop 2000B HL Subscriber Hierarchical Level.....	24
Table 19. Loop 2000B SBR Subscriber Information .....	25
Table 20. Loop 2010BA NM1 Subscriber Name.....	25
Table 21. Loop 2010BA DMG Subscriber Demographic Information .....	26
Table 22. Loop 2010BB NM1 Payer Name.....	26
Table 23. Loop 2300 CLM Claim Information .....	27
Table 24. Loop 2300 DTP Date Elements.....	28
Table 25. Loop 2300 PWK Claim Supplement Information .....	28
Table 26. Loop 2300 HI Health Care Diagnosis Code.....	28
Table 27. Loop 2310A NM1 Referring Provider Name .....	29
Table 28. Loop 2310B NM1 Rendering Provider Name.....	29
Table 29. Loop 2310C N4 Service Facility Location.....	29
Table 30. Loop 2310E NM1 Supervising Provider Name .....	30
Table 31. Loop 2320 SBR Other Subscriber Information .....	30
Table 32. Loop 2320 CAS Claim Level Adjustments.....	30
Table 33. Loop 2320 AMT COB Payer Paid Amount .....	31
Table 34. Loop 2330A NM1 Other Subscriber Name.....	31
Table 35. Loop 2330A REF Other Subscriber Secondary Identification.....	31
Table 36. Loop 2330B DTP Claim Check or Remittance Date .....	32
Table 37. Loop 2400 SV3 Dental Service.....	32
Table 38. Loop 2400 DTP Service Date .....	32
Table 39. Loop 2420A NM1 Rendering Provider Name.....	33
Table 40. Loop 2420C NM1 Supervising Provider Name .....	33
Table 41. Loop 2420D N4 Service Facility Location .....	34

Table 42. Loop 2430 SVD Line Adjudication Information .....	34
Table 43. Loop 2430 DTP Line Check or Remittance Date.....	35
Table 44. SE Transaction Set Trailer.....	35
Table 45. EDI Implementation Checklist.....	35
Table 46. Acronyms Listing and Definitions.....	37
Table 47. Companion Guide Version History.....	39

## List of Figures

Figure 1. Novitas Solutions, Inc. 837D Process Flows.....	8
---	---



# 1 Introduction

This document is intended to provide information from the author of this guide to Trading Partners to give them the information they need to exchange Electronic Data Interchange (EDI) data with the author. This includes information about registration, testing, support, and specific information about control record setup.

An EDI Trading Partner is defined as any Medicare customer (e.g., provider/supplier, billing service, clearinghouse, or software vendor) that transmits to, or receives electronic data from Medicare. Medicare's EDI transaction system supports transactions adopted under the Health Insurance Portability and Accountability Act of 1996 (HIPAA) as well as additional supporting transactions as described in this guide.

Medicare Fee-For-Service (FFS) is publishing this Companion Guide (CG) to clarify, supplement, and further define specific data content requirements to be used in conjunction with, and not in place of, the ASC X12N Technical Report Type 3 (TR3) Version 005010 and associated errata mandated by HIPAA and/or adopted by Medicare FFS for EDI.

This CG provides communication, connectivity, and transaction-specific information to Medicare FFS Trading Partners and serves as the authoritative source for Medicare FFS-specific EDI protocols.

Additional information on Medicare FFS EDI practices are referenced within Internet-only Manual (IOM) Pub. 100-04 Medicare Claims Processing Manual:

- Chapter 24 – [General EDI and EDI Support, Requirements, Electronic Claims, and Mandatory Electronic Filing of Medicare Claims](https://www.cms.gov/Regulations-and-Guidance/Guidance/Manuals/downloads/clm104c24.pdf) (<https://www.cms.gov/Regulations-and-Guidance/Guidance/Manuals/downloads/clm104c24.pdf>).

## 1.1 Scope

EDI addresses how Trading Partners exchange professional, dental and institutional claims, claim acknowledgments, claim remittance advice, claim status inquiry and responses, and eligibility inquiry and responses electronically with Medicare. This CG also applies to ASC X12N 837D transactions that are being exchanged with Medicare by third parties, such as clearinghouses, billing services or network service vendors.

This CG provides technical and connectivity specification for the 837 Health Care Claim: Dental transaction Version 005010A2.

## 1.2 Overview

This CG includes information needed to commence and maintain communication exchange with Medicare. In addition, this CG has been written to assist you in designing and implementing the ASC X12N 837D transaction standard to meet Medicare's processing standards. This information is organized in the sections listed below:

- *Getting Started*: This section includes information related to hours of operation, and data services. Information concerning Trading Partner registration and the Trading Partner testing process is also included in this section.

- *Testing and Certification Requirements:* This section includes detailed transaction testing information as well as certification requirements needed to complete transaction testing with Medicare.
- *Connectivity/Communications:* This section includes information on Medicare’s transmission procedures as well as communication and security protocols.
- *Contact Information:* This section includes EDI customer service, EDI technical assistance, Trading Partner services and applicable websites.
- *Control Segments/Envelopes:* This section contains information needed to create the Interchange Control Header/Trailer (ISA/IEA), Functional Group Header/Trailer (GS/GE), and Transaction Set Header/Trailer (ST/SE) control segments for transactions to be submitted to or received from Medicare.
- *Specific Business Rules and Limitations:* This section contains Medicare business rules and limitations specific to the ASC X12N 837D.
- *Acknowledgments and Reports:* This section contains information on all transaction acknowledgments sent by Medicare and report inventory.
- *Trading Partner Agreement:* This section contains information related to implementation checklists, transmission examples, Trading Partner Agreements and other resources.
- *Transaction Specific Information:* This section describes the specific CMS requirements over and above the information in the ASC X12N 837D TR3.

### 1.3 References

The following locations provide information for where to obtain documentation for Medicare-adopted EDI transactions and code sets.

*Table 1. EDI Transactions and Code Set References*

Resource	Location
ASC X12N TR3s	The official ASC X12 website.
Washington Publishing Company Health Care Code Sets	The official Washington Publishing Company website.
<a href="#">Novitas 5010 Expectations</a>	<a href="http://www.novitas-solutions.com/webcenter/content/conn/UCM_Repository/uuid/dDocName:00004779">http://www.novitas-solutions.com/webcenter/content/conn/UCM_Repository/uuid/dDocName:00004779</a>

## 1.4 Additional Information

The websites in the following table provide additional resources for HIPAA Version 005010A2 implementation:

*Table 2. Additional EDI Resources*

Resource	Web Address
<a href="#">Medicare FFS EDI Operations</a>	<a href="https://www.cms.gov/ElectronicBillingEDITrans/">https://www.cms.gov/ElectronicBillingEDITrans/</a>

## 2 Getting Started

### 2.1 Working Together

Novitas Solutions, Inc. is dedicated to providing communication channels to ensure communication remains constant and efficient. Novitas Solutions, Inc. has several options to assist the community with their electronic data exchange needs. By using any of these methods Novitas Solutions, Inc. is focused on supplying the Trading Partner community with a variety of support tools.

An EDI help desk is established for the first point of contact for basic information and troubleshooting. The help desk is available to support most EDI questions/incidents while at the same time being structured to triage each incident if more advanced research is needed. Email is also accessible as a method of communicating with Novitas Solutions, Inc. EDI. The email account is monitored by knowledgeable staff ready to assist you. When communicating via email, please exclude any protected health information (PHI) to ensure security is maintained. In addition to the Novitas Solutions, Inc’s EDI help desk and email access, see Section 5 for additional contact information.

Novitas Solutions, Inc. also has several external communication components in place to reach out to the Trading Partner community. Novitas Solutions, Inc. posts all critical updates, system issues and EDI-specific billing material to their [website](#) ([https://www.novitassolutions.com/webcenter/portal/ElectronicBillingEDI\\_JH](https://www.novitassolutions.com/webcenter/portal/ElectronicBillingEDI_JH)). All Trading Partners are encouraged to visit this page to ensure familiarity with the content of the site. Novitas Solutions, Inc. also distributes EDI pertinent information in the form of an EDI newsletter or comparable publication, which is posted to the website every three (3) months. In addition to the website, a distribution list has been established in order to broadcast urgent messages. Please register for Novitas Solutions, Inc. distribution list by completing the information on the [website](#) (<https://www.novitas-solutions.com/webcenter/portal/MedicareJH/pagebyid?contentId=00007968>). To subscribe to the list.

Specific information about the above-mentioned items can be found in the following sections.

## 2.2 Trading Partner Registration

An EDI Trading Partner is any entity (provider, billing service, clearinghouse, software vendor, employer group, financial institution, etc.) that transmits electronic data to, or receives electronic data from, another entity.

Medicare FFS and Novitas Solutions, Inc. support many different types of Trading Partners or customers for EDI. To ensure proper registration, it is important to understand the terminology associated with each customer type:

- *Submitter* – the entity that owns the submitter ID associated with the health care data being submitted. It is most likely the provider, hospital, clinic, supplier, etc., but could also be a third party submitting on behalf of one of these entities. However, a submitter must be directly linked to each billing National Provider Identifier (NPI). Often the terms submitter and Trading Partner are used interchangeably because a Trading Partner is defined as the entity engaged in the exchange or transmission of electronic transactions. Thus, the entity that is submitting electronic administrative transactions to Novitas Solutions, Inc. is a Medicare FFS Trading Partner.
- *Vendor* – an entity that provides hardware, software, and/or ongoing technical support for covered entities. In EDI, a vendor can be classified as a software vendor, billing or network service vendor, or clearinghouse.
- *Software Vendor* – an entity that creates software used by Trading Partners to conduct the exchange of electronic transactions with Medicare FFS.
- *Billing Service* – a third party that prepares and/or submits claims for a provider.
- *Clearinghouse* – a third party that submits and/or exchanges electronic transactions (claims, claim status or eligibility inquiries, remittance advice, etc.) on behalf of a provider.
- *Network Service Vendor* – a third party that provides connectivity between a Trading Partner and Novitas Solutions, Inc.

Medicare requires all trading partners to complete EDI registration and sign an [EDI Enrollment form](https://www.novitas-solutions.com/webcenter/portal/MedicareJH/pagebyid?contentId=00004532) (https://www.novitas-solutions.com/webcenter/portal/MedicareJH/pagebyid?contentId=00004532). The EDI enrollment form designates the Medicare contractor and/or Common Electronic Data Interchange (CEDI) as the entity they agree to engage in for EDI and ensures agreement between parties to implement standard policies and practices to ensure the security and integrity of information exchanged.

Entities processing paper do not need to complete an EDI registration.

For EDI enrollment information, please visit the Novitas Solutions, Inc. website to complete the EDI Enrollment form. This will ensure you are completing and submitted the most recent version of the EDI Enrollment form.

Under HIPAA, EDI applies to all covered entities transmitting the following HIPAA-established administrative transactions: 837I, 837P and 837D, 835, 270/271, 276/277, and the National Council for Prescription Drug Programs (NCPDP) D.O. Additionally, Medicare Administrative Contractors (MACs) and Common Electronic Data Interchange (CEDI) will use the Interchange Acknowledgment (TA1), Implementation Acknowledgment (999), and 277 Claim Acknowledgement (277CA) error-handling transactions.

Medicare requires that Novitas Solutions, Inc. furnish information on EDI to new Trading Partners that request Medicare claim privileges. Additionally, Medicare requires Novitas Solutions, Inc. to assess the capability of entities to submit data electronically, establish their qualifications (see test requirements in Section 3), and enroll and assign submitter EDI identification numbers to those approved to use EDI.

A provider must obtain an NPI and furnish that NPI to Novitas Solutions, Inc. prior to completion of an initial EDI Enrollment Agreement and issuance of an initial EDI number and password by that contractor. Novitas Solutions, Inc. is required to verify that NPI is on the Provider Enrollment Chain and Ownership System (PECOS). If the NPI is not verified on the PECOS, the EDI Enrollment Agreement is denied, and the provider is encouraged to contact the appropriate MAC provider enrollment department (for Medicare Part A and Part B provider) or the National Supplier Clearinghouse (for Durable Medical Equipment suppliers) to resolve the issue. Once the NPI is properly verified, the provider can reapply the EDI Enrollment Agreement.

A Trading Partner's EDI number and password serve as an electronic signature and the Trading Partner would be liable for any improper usage or illegal action performed with it. A Trading Partner's EDI access number and password are not part of the capital property of the Trading Partner's operation and may not be given to a new owner of the Trading Partner's operation. A new owner must obtain their own EDI access number and password.

If providers elect to submit/receive transactions electronically using a third party such as a billing agent, a clearinghouse, or network services vendor, then the provider is required to have an agreement signed by that third party. The third party must agree to meet the same Medicare security and privacy requirements that apply to the provider in regard to viewing or using Medicare beneficiary data. These agreements are not to be submitted to Medicare but are to be retained by the provider. Providers will notify Novitas Solutions, Inc. which third party agents they will be using on their EDI Enrollment form.

Third parties are required to register with Novitas Solutions, Inc. by completing the [third-party agreement form](https://www.novitas-solutions.com/webcenter/content/conn/UCM_Repository/uuid/dDocName:00004538) ([https://www.novitas-solutions.com/webcenter/content/conn/UCM\\_Repository/uuid/dDocName:00004538](https://www.novitas-solutions.com/webcenter/content/conn/UCM_Repository/uuid/dDocName:00004538)). This will ensure that their connectivity is completed properly, however they may need to enroll in mailing lists separately in order to receive all publications and email notifications.

Additional third-party billing information can be found on the [Novitas Solutions, Inc. EDI webpage](http://www.novitas-solutions.com/webcenter/portal/MedicareJH/pagebyid?contentid=00026986) (<http://www.novitas-solutions.com/webcenter/portal/MedicareJH/pagebyid?contentid=00026986>).

Trading Partners must also be informed that they are not permitted to share their personal EDI access number and password with any billing agent, clearinghouse, or network service vendor. Trading Partners must also not share their personal EDI access number with anyone on their own staff who does not need to see the data for completion of a valid electronic claim, to process a remittance advice for a claim, to verify beneficiary eligibility, or to determine the status of a claim. No other non-staff individuals or entities may be permitted to use a Trading Partner's EDI number and password to access Medicare systems. Clearinghouse and other third-party representatives must obtain and use their own unique EDI access number and password from Novitas Solutions, Inc. For a complete reference to security requirements, see Section 4.4.

## 2.3 Trading Partner Certification and Testing Process

Testing for EDI is required to ensure that the electronic information is accurate and "readable" in our processing system. Testing can be done by individual providers or by the vendor, billing service, or clearinghouse. Novitas Solutions, Inc. encourages vendors, billing services and clearinghouses to complete the initial testing of their product for their customers. Once approved, individual customers would not be required to test the product again.

The number of tests required, and the duration of the testing process are determined, in part, by the quality of the test claims we receive. Claims that are submitted for testing should be representative of the services that will be submitted to Medicare after being approved for production.

The initial EDI enrollment letter will inform customers if testing is required. If required, a test file must be received within 60 days of EDI enrollment. Submit the test file through Secure File Transfer Protocol (SFTP) as instructed in Section 4 of this document or through the Novitasphere portal. The ISA 15 control segment of your file should be equal to a "T" for test. After submitting a test, verify the file was accepted on the 999 Functional Acknowledgement and the 277CA Claims Acknowledgement. These reports will detail any errors encountered in your test file. A TA1 Interchange Acknowledgment will be generated immediately after submitting the test file only if an interchange control structure error is identified. If a TA1 interchange control structure error is identified, you must correct the error and resubmit the test file. Training modules on the interpretation of the above listed reports are available on our [website](https://www.novitasolutions.com/webcenter/portal/MedicareJH/pagebyid?contentId=00004755) (<https://www.novitasolutions.com/webcenter/portal/MedicareJH/pagebyid?contentId=00004755>).

Upon successful completion of the testing phase, the trading partner will be able to begin submitting production electronic claims in 10 business days after sending a test via the bulletin board/portal. The TEST/PRODUCTION indicator in the ISA15 (indicating Test or Production claims) must be changed to "P" prior to submitting electronic claims in a production mode. If a test is not approved for production, based on the Section 3: Testing and Certification Requirements below, another test must be submitted for review.

## 3 Testing and Certification Requirements

### 3.1 Testing Requirements

All submitters must produce accurate electronic test files before being allowed to submit claim transactions in production. Test claims are subject to ASC X12N standard syntax and TR3 semantic data edits. Documentation will be provided when this process detects errors.

All submitters must send a test file containing a minimum of 5 claims, which are representative of their practice or services. The number of claims could be increased or decreased, on a case-by-case basis, to ensure adequate testing of any given submitter.

Test files must pass 100 percent of the standard syntax tests before submission to production is approved.

- Standard syntax testing validates the programming of the incoming file and includes file layout, record sequencing, balancing, alpha-numeric/numeric/date file conventions, field values, and relational edits. Test files must pass 100 percent of the standard syntax tests before submission to production is approved.
- TR3 Semantic Data testing validates data required for claims processing, e.g., procedure/ diagnosis codes, modifiers. A submitter must demonstrate, at a minimum, 95 percent accuracy rate in data testing before submission in production is approved where, in the judgment of Novitas Solutions, Inc, the vendor/submitter will make the necessary correction(s) prior to submitting a production file. For MACs, the minimum 95 percent accuracy rate includes the [front-end edits applied implementation guide editing module](https://www.novitas-solutions.com/webcenter/portal/MedicareJH/pagebyid?contentId=00004783) (https://www.novitas-solutions.com/webcenter/portal/MedicareJH/pagebyid?contentId=00004783).
  - Test results will be provided to the submitter within three business days; during HIPAA version transitions this time period may be extended, not to exceed ten business days.

Many submitters use the same software, or the same clearinghouse to submit their electronic transactions to Medicare. Trading Partners do not need to test if they are using an approved software vendor. Trading Partners may see if their vendor has passed testing or to locate an approved vendor on the [approved vendor list](https://www.novitas-solutions.com/webcenter/portal/MedicareJH/pagebyid?contentId=00004527) (https://www.novitas-solutions.com/webcenter/portal/MedicareJH/pagebyid?contentId=00004527).

Trading Partners who submit transactions directly to more than one MAC must contact each MAC with whom they exchange EDI transactions to inquire about the need for supplemental testing whenever they plan to begin to use an additional EDI transaction, different or significantly modified software for submission of a previously used EDI transaction, or before a billing agent or clearinghouse begins to submit transactions on behalf of an additional Trading Partner. The individual MAC may need to retest at that time to re-establish compatibility and accuracy, particularly if there will also be a change in the telecommunication connection to be used.

Billing services and clearinghouses are not permitted to begin to submit or receive EDI transactions on behalf of a provider prior to submission of written authorization by the provider that the billing agent or clearinghouse has been authorized to handle those transactions on the provider's behalf. See Section 2.2 for further information on EDI enrollment.

## 3.2 Certification Requirements

Medicare FFS does not certify Trading Partners. However, Novitas Solutions, Inc. does certify vendors, clearinghouses, and billing services by conducting testing with them and maintaining an approved vendor list that can be accessed on the [Novitas Solutions, Inc. EDI website](https://www.novitas-solutions.com/webcenter/portal/MedicareJH/pagebyid?contentId=00004527) (https://www.novitas-solutions.com/webcenter/portal/MedicareJH/pagebyid?contentId=00004527).



## 4 Connectivity / Communications

### 4.1 Process Flows

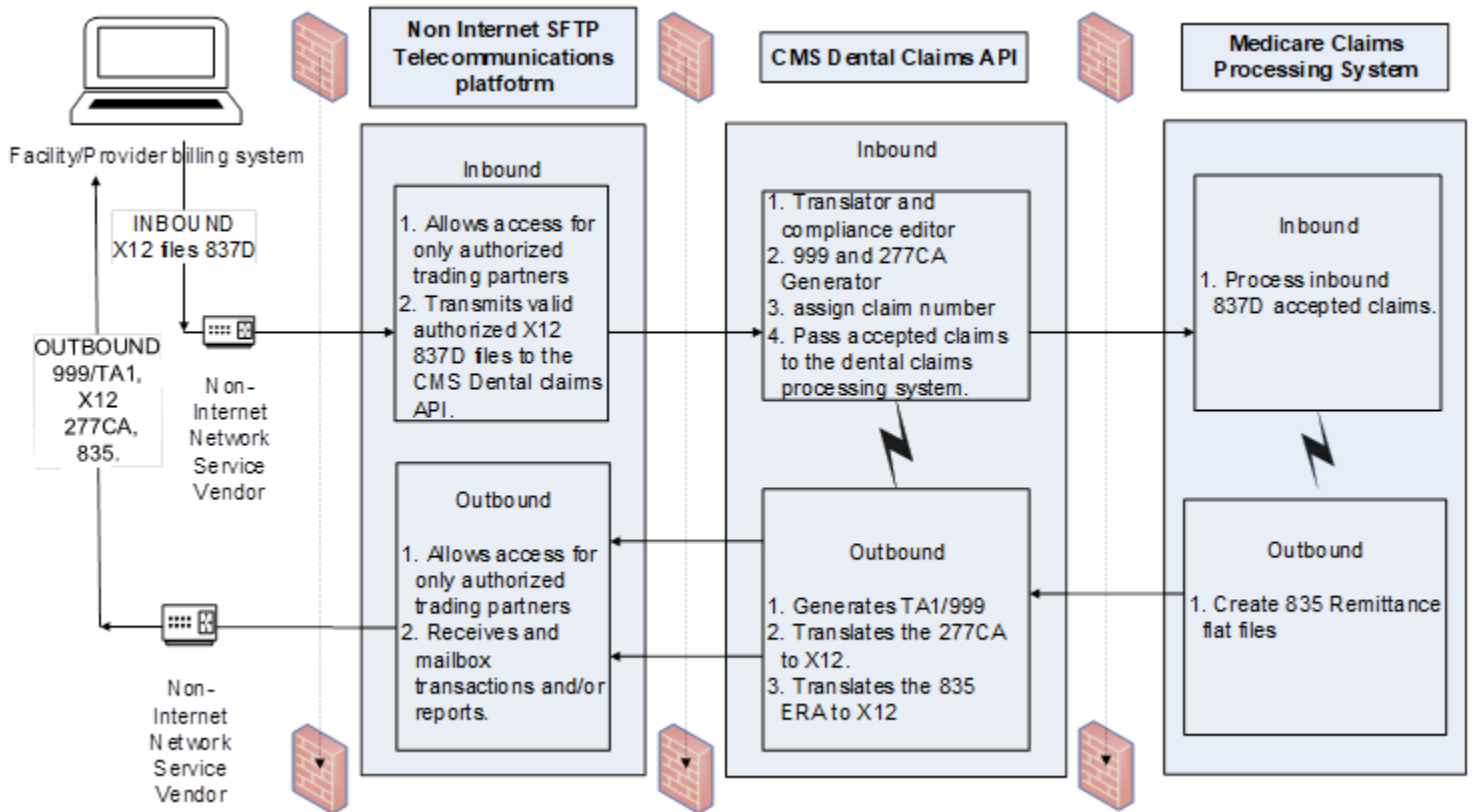
Claims can be electronically submitted in the American National Standards Institute (ANSI) ASC X12 837D transaction using Secure File Transfer Protocol (SFTP), or Novitasphere portal.

Connection for authorized trading partners will be to the TIBCO telecommunications platform.

- The claims will be forwarded into the CMS Dental Claims Processing API (Application Programming Interface) system for further edits and 999/277CA acknowledgement reports will be issued. Claim numbers will be appended to accepted claims.
- If the claim accepts on the 277CA, it will be sent into the Medicare Claims Processing system for Dental claims for final determination. Once the claims finalize, the denial or payment summary is sent via Standard Paper Remittance (SPR) or Electronic Remittance Advice (ERA).
- All generated reports can be retrieved through the TIBCO telecommunications platform.

The following diagrams show how production and test transactions flow into and out of GPNet, Novitas Solutions, Inc’s EDI Gateway.

Figure 1. Novitas Solutions, Inc. 837D Process Flows





## 4.2 Transmission

The EDI front-end platform (TIBCO) is accessible 24 hours a day, 7 days a week. JL EDI files submitted after 4PM Eastern Time (ET) on any business day are considered "received" the next business day. EDI files submitted on a non-business day are considered "received" the next business day or as published. TIBCO allows for multiple transmissions within one day by verifying the unique Interchange Control Number in ISA13 for each transmission. If you are not sure how to assign a unique Interchange Control Number, please contact your vendor or in-house programmer for instructions. Additional connectivity information can be found on the [Novitas Solutions, Inc. website](https://www.novitasolutions.com/webcenter/portal/MedicareJH/pagebyid?contentId=00004782) (<https://www.novitasolutions.com/webcenter/portal/MedicareJH/pagebyid?contentId=00004782>).

### 4.2.1 Re-transmission Procedures

The process for sending retransmitted files is the same as sending original files.

## 4.3 Communication Protocol Specifications

Novitas Solutions, Inc. currently accepts EDI 837D transmissions through two means of connection: Novitasphere portal and Secure File Transfer Protocol (SFTP).

### 4.3.1 Novitasphere Portal

[Novitasphere](https://www.novitas-solutions.com/webcenter/portal/Novitasphere_JH) ([https://www.novitas-solutions.com/webcenter/portal/Novitasphere\\_JH](https://www.novitas-solutions.com/webcenter/portal/Novitasphere_JH)) is a secured webbased Internet Portal that customers may utilize for a more proficient interface with Novitas and the Medicare systems. Currently, Novitasphere is not enrolling Veterans Affairs Providers.

### 4.3.2 Secure File Transfer Protocol (SFTP)

Submission Secure File Transfer Protocol, or SFTP, is a communications method for delivering and/or receiving data. It allows large volume electronic billers to deliver and receive large volumes of data faster than using conventional transmission methods. Contracting with a third-party vendor for a direct connection to Novitas Solutions, Inc. is required. The third-party vendor will provide the connectivity portal needed to use SFTP. A list of approved third-party vendors can be found on the [Novitas Solutions, Inc. webpage](https://www.novitasolutions.com/webcenter/portal/MedicareJH/pagebyid?contentId=00004536) (<https://www.novitasolutions.com/webcenter/portal/MedicareJH/pagebyid?contentId=00004536>).

## 4.4 Security Protocols and Passwords

All Trading Partners must adhere to CMS information security policies; including, but not limited to, the transmission of electronic claims, claim status, receipt of the remittance advice, or any system access to obtain beneficiary PHI and/or eligibility information. Violation of this policy will result in revocation of all methods of system access. Novitas Solutions, Inc. is responsible for notifying all affected Trading Partners as well as reporting the system revocation to CMS.

Once setup is complete with the third-party vendor and Novitas Solutions, Inc., a software program is needed for creating and receiving electronic claim files. The following is a list of approved SFTP software.

*Table 3. Approved SFTP Software*

Free Software	Pay Software
WinSCP v4.2.5	Cute FTP 8 Professional v8.3.3
FileZilla Client v3.3.1	WS_FTP Professional v12.2

To set up SFTP, access your SFTP software and complete the following steps:

- Create a site by following the software prompts.
- Access the settings and choose “SFTP/SSH” (Secure Shell).
- Key in the remote port and the host name. (Version 5010 server names and ports are provided when you enroll for SFTP, if necessary).
- Save the settings.

To send electronic claim files via SFTP, access your SFTP software and complete the following steps:

- Log in.
- You will receive a temporary password when you first enroll. Before connecting for the first time, you must access the [EDI Gateway Password Change Tool](https://www.novitasolutions.com/webcenter/portal/ElectronicBillingEDI_JH/EDIPasswordChange) (https://www.novitasolutions.com/webcenter/portal/ElectronicBillingEDI\_JH/EDIPasswordChange) to change your password. See section 4.4.2 SFTP Password for additional password details. Passwords can only be reset once in a 24-hour period without contacting the EDI Help Desk.
- Connect to Novitas Solutions, Inc.
- Upload 837D files to:
  - /outbox/X12/EDI/Inbound/Interchange for X12 files.
  - /outbox/EZComm/BC/1.0/Notify for .ZIP files.
- Retrieve the Acknowledgement report responses from:
  - /inbox/X12/EDI/Outbound/Interchange for X12 files.
  - /inbox/EZComm/BC/1.0/Notify for . ZIP files or VA reports.

Important tips for configuring your SFTP file:

- Disable “temp file” in your file transfer software.
- The date/time stamp during file transfer should not be updated.
- A file should not be renamed after the last byte of the file has been transferred.
- Only a file should be zipped, not an entire folder.

- Zip files should not be encrypted, or password protected.

### 4.4.1 System Logins

Trading partners submitting files using SFTP will be assigned a login ID and temporary password upon completion of the EDI Enrollment form. The login ID will be mailed to them in an EDI welcome letter.

Trading partners submitting files using Novitasphere Portal will create a user ID, password, and complete [identity proofing](https://home.idm.cms.gov) (<https://home.idm.cms.gov>) (IDM) for each user. Enrollment information can be found on the [Novitas Solutions, Inc. website](https://www.novitas-solutions.com/webcenter/portal/Novitasphere_JH) ([https://www.novitas-solutions.com/webcenter/portal/Novitasphere\\_JH](https://www.novitas-solutions.com/webcenter/portal/Novitasphere_JH)).

A provider's EDI login and password serve as a provider's electronic signature and the provider would be liable if any entity with which the provider improperly shared the ID and password performed an illegal action while using that ID and password. A provider's EDI access number and password are not part of the capital property of the provider's operation and may not be given to a new owner of the provider's operation.

### 4.4.2 Guidelines for Creating a "Good" Password

Most security breaches are a direct result of users selecting "bad" passwords. The selection of a "good" password is critical to ensuring the security and integrity of your health care information. A good password is one that is difficult for others to guess and yet is easily remembered by the user.

#### Novitasphere Passwords

For the full list of Novitasphere password requirements, please visit our [Novitasphere Password Help page](https://www.novitas-solutions.com/webcenter/portal/MedicareJH/pagebyid?contentId=00084015) (<https://www.novitas-solutions.com/webcenter/portal/MedicareJH/pagebyid?contentId=00084015>).

#### SFTP Passwords

Passwords will expire every sixty days.

The following basic guidelines should help when creating a password:

#### DO

- Must be exactly eight (8) characters in length.
- Must contain both alphabetic and numeric characters in the password.
- Must contain at least 1 uppercase and 1 lowercase letter.
- Must contain a special character; for example: ! \$ %.
- Passwords are case sensitive.
- Must contain a minimum of four (4) characters different than the previous password.
- Must be different than the last nine (9) passwords.

#### DON'T

- Do not use English defined words.
- Do not use your user ID or any permutation of it as the password.
- Do not use your company name, department name, or any permutation of it as a password.
- Do not use your name or initials in any form.
- Do not use family members or pets as part of the password.
- Do not use swear words or obscene words; they're among the first words tried when guessing passwords.
- Do not write down your password.
- Do not reuse your password.
- Do not store your password in scripts, files, or applications unless compensating controls are in place.
- Do not use any form of date such as month, day, year, etc.

## 5 Contact Information

### 5.1 EDI Customer Service

#### Mailing Address

Novitas Solutions, Inc. EDI Services  
P.O. Box 3093  
Mechanicsburg, PA 17055-1801

#### Telephone Numbers

- EDI Help Desk telephone number: 1-855-252-8782, Option 3
- Novitasphere Help Desk telephone number: 1-855-880-8424
- Fax Number: 1-877-439-5479

#### Email address

- EDI inquiries (excluding Indian Health): [WebsiteEDI@novitas-solutions.com](mailto:WebsiteEDI@novitas-solutions.com)
- Indian Health EDI inquiries: [WebsiteEDIHHS@novitas-solutions.com](mailto:WebsiteEDIHHS@novitas-solutions.com)

#### Time and Day of Operations

- EDI and Novitasphere Help Desks are available Monday through Friday.
  - The EDI Help Desk is available 8:00 AM until 4:00 PM Central and Mountain Time.
- The Novitasphere Help Desk is available 8:00 AM until 5:00 PM ET.

- Please check the [Novitas Solutions Inc. website](https://www.novitas-solutions.com/webcenter/portal/MedicareJH/pagebyid?contentId=00004525) (https://www.novitas-solutions.com/webcenter/portal/MedicareJH/pagebyid?contentId=00004525) for the most up to date hours of availability.

## 5.2 Trading Partner Service Number

The information is the same as listed in section 5.1 above.

## 5.3 Applicable Websites / Email

Novitas Solutions, Inc. [Electronic Billing \(EDI\) Center](https://www.novitasolutions.com/webcenter/portal/ElectronicBillingEDI_JH) (https://www.novitasolutions.com/webcenter/portal/ElectronicBillingEDI\_JH).

## 6 Control Segments / Envelopes

Enveloping information must be as follows:

**Note:** A hyphen in the table below means N/A.

Table 4. ISA Interchange Control Header

Page #	Element	Name	Codes/Content	Notes/Comments
C.4	ISA01	Authorization Information Qualifier	00	Medicare expects the value to be 00.
C.4	ISA02	Authorization Information	-	ISA02 shall contain 10 blank spaces.
C.4	ISA03	Security Information Qualifier	00	Medicare expects the value to be 00. No Security Information present.
C.4	ISA04	Security Information	-	Add 2 blank spaces as Medicare does not use Security Information and will ignore content sent in ISA04.
C.4	ISA05	Interchange ID Qualifier	ZZ	Must be "ZZ".
C.4	ISA06	Interchange Sender ID	-	Novitas Solutions, Inc. assigned Submitter ID. This is also required in the GS02.
C.5	ISA07	Interchange ID Qualifier	ZZ	Must be "ZZ".

Page #	Element	Name	Codes/Content	Notes/Comments
C.5	ISA08	Interchange Receiver ID	-	Novitas Solutions, Inc. JH contract number. <ul style="list-style-type: none"> <li>• Arkansas – 07102</li> <li>• Louisiana – 07202</li> <li>• Mississippi – 07302</li> <li>• Colorado – 04112</li> <li>• New Mexico – 04212</li> <li>• Oklahoma – 04312</li> <li>• Texas – 04412</li> <li>• Indian Health Service (IHS)/Tribal Organizations – 04412</li> <li>• Veteran Affairs - 04412</li> </ul>
C.5	ISA11	Repetition Separator	-	Defined by the submitter.
C.6	ISA14	Acknowledgement Requested	1	Medicare requires submitter to send code value 1 – Interchange Acknowledgment Requested (TA1). Medicare will only return a TA1 segment when there is an error in the ISA/IEA Interchange Envelope.

**Note:** A hyphen in the table below means N/A.

*Table 5. GS Functional Group Header*

Page #	Element	Name	Codes/Content	Notes/Comments
C.7	GS02	Application Sender's Code	-	Submitter number assigned by Novitas Solutions, Inc.

Page #	Element	Name	Codes/Content	Notes/Comments
C.7	GS03	Application Receiver's Code	-	Novitas Solutions, Inc. JH contract number. <ul style="list-style-type: none"> <li>• Arkansas – 07102</li> <li>• Louisiana – 07202</li> <li>• Mississippi – 07302</li> <li>• Colorado – 04112</li> <li>• New Mexico – 04212</li> <li>• Oklahoma – 04312</li> <li>• Texas – 04412</li> <li>• Indian Health Service (IHS)/Tribal Organizations – 04412</li> <li>• Veteran Affairs – 04412.</li> </ul>
C.7	GS04	Functional Group Creation Date	-	Must not be a future date.
C.8	GS08	Version Identifier Code	005010X224A2	Medicare expects value "005010X224A2".

Interchange Control (ISA/IEA), Functional Group (GS/GE), and Transaction Set (ST/SE) envelopes must be used as described in the TR3. Medicare's expectations for the Control Segments and Envelopes are detailed in Sections 6.1, 6.2, and 6.3.

## 6.1 ISA-IEA

### Delimiters – Inbound Transactions

As detailed in the TR3, delimiters are determined by the characters sent in specified, set positions of the ISA header. For transmissions inbound to Medicare FFS, these characters are determined by the submitter and can be any characters as defined in the TR3 and must not be contained within any data elements within the ISA/IEA Interchange Envelope.

### Delimiters – Outbound Transactions

Trading Partners should contact Novitas Solutions, Inc. for a list of delimiters to expect from Medicare. Note that these characters will not be used in data elements within an ISA/IEA Interchange Envelope.

*Table 6. Outbound Transaction Delimiters*

Delimiter	Character Used	Dec Value	Hex Value
Data Element Separator	*	42	2A
Repetition Separator	^	94	5E
Component Element Separator	>	62	3E
Segment Terminator	~	126	7E

## Inbound Data Element Detail and Explanation

All data elements within the ISA/IEA interchange envelope must follow ASC X12N syntax rules as defined within the TR3.

### 6.2 GS-GE

Functional group (GS-GE) codes are transaction specific. Therefore, information concerning the GS/GE Functional Group Envelope can be found in Table 3.

### 6.3 ST-SE

Medicare FFS follows the HIPAA-adopted TR3 requirements.

## 7 Specific Business Rules

This section describes the specific CMS requirements over and above the standard information in the TR3.

### 7.1 General Notes

Errors identified for business level edits performed prior to the Subscriber loop (2000B) will result in immediate file failure at that point. When this occurs, no further editing will be performed beyond the point of failure.

The billing provider must be associated with an approved electronic submitter. Claims submitted for billing providers that are not associated to an approved electronic submitter will be rejected. The following table describes segments/ elements not accepted by Medicare.

**Note:** A hyphen in the table below means N/A.



*Table 7. Segment / Elements Not Accepted by Medicare*

Page #	Loop ID	Reference	Name	Codes/Content	Notes/Comments
79	2000A	CUR	Foreign Currency Information	-	Medicare does not support the submission of foreign currency.
91	2010AA	REF	Billing Provider UPIN/License Information	-	Must not be present.
101	2010AC	Loop Rule	Pay to Plan Name	-	Must not be present.
122	2010BA	REF	Subscriber Secondary Identification (REF01 = "SY")	-	Must not be present.
129	2010BB	REF	Payer Secondary Identification	-	Must not be present.
131	2010BB	REF	Billing Provider Secondary Identification	-	Must not be present.
133	2000C	HL	Patient Hierarchical Level	-	Must not be present. For Medicare, the subscriber is always the same as the patient.
135	2000C	PAT	Patient Information	-	Must not be present. For Medicare, the subscriber is always the same as the patient.
137	2010CA	Loop Rule	Patient Name	-	Must not be present.
168	2300	REF	Payer Claim Control Number	-	Must not be present.
259	2330C	Loop Rule	Other Payer Referring Provider	-	Must not be present.
263	2330D	Loop Rule	Other Payer Rendering Provider	-	Must not be present.

Page #	Loop ID	Reference	Name	Codes/Content	Notes/Comments
267	2330E	Loop Rule	Other Payer Supervising Provider	-	Must not be present.
271	2330F	Loop Rule	Other Payer Billing Provider	-	Must not be present.
274	2330G	Loop Rule	Other Payer Service Facility Location	-	Must not be present.
277	2330H	Loop Rule	Other Payer Assistant Surgeon	-	Must not be present.
296	2400	CN1	Contract Information	-	Must not be present.
311	2400	HCP	Line Pricing/Repricing Information	-	Must not be present.

## 7.2 General Transaction Notes

The following are Medicare-specific general rules pertaining to the 837D transaction:

- MSP information submitted on the claim will not be applied at this time.
- Adjustment or reprocessing of claims is not currently available.
- Overpayments and/or voluntary refunds is not currently available.
- Coordination of Benefits (COB) is not currently available.
- Interactive Voice Response (IVR) will not support 837 Dental claims inquiries at this time.
- The maximum number of characters to be submitted in any dollar amount field is seven characters. Claims containing a dollar amount in excess of 99,999.99 will be rejected.
- Claims that contain percentage amounts with values in excess of 99.99 will be rejected.
- With the exception of the CAS segment, all amounts must be submitted as positive amounts. Negative amounts submitted in any non-CAS amount element will cause the claim to be rejected.
- Claims that contain percentage amounts cannot exceed two positions to the left or the right of the decimal. Percent amounts that exceed their defined size limit will be rejected.
- Only loops, segments, and data elements valid for the TR3 will be translated. Submitting invalid data will cause files to be rejected.

- Medicare requires the NPI be submitted as the identifier for all claims. Claims submitted with legacy identifiers will be rejected.
- National Provider Identifiers will be validated against the NPI algorithm. Claims which fail validation will be rejected.
- The MAC will only accept claims for one line of business per transaction. Claims submitted for multiple lines of business within one ST-SE (Transaction Set) will cause the transaction to be rejected.
- Submissions with more than one GS-GE (Functional Group) per ISA-IEA (interchange) will be rejected.

## 8 Acknowledgments and Reports

For Medicare has adopted three acknowledgement transactions with the Version 005010 implementation: the 277CA, the TA1, and the 999.

Medicare FFS has adopted a process to only reject claim submissions that are out of compliance with the ASC X12N Version 005010 standard; the appropriate response for such errors will be returned on a 999. Batch submissions with errors will not be rejected in totality, unless warranted.

### 8.1 Report Inventory

The following table identifies reports available to electronic billing customers.

*Table 8. Reports*

Report Name	Purpose	Available for Retrieval
X12N TA1 Interchange Acknowledgement Report	Identifies interchange control structure errors	Generated immediately after sending a file transmission only IF an interchange control structure error is identified.  Available for retrieval for 60 business days.
X12N 999 Functional Acknowledgement	Verifies the transmission was received and indicates whether the transmission was accepted or rejected, test or production.	Generated within several minutes of the file transmission.  Available for retrieval for 60 business days.

Report Name	Purpose	Available for Retrieval
277CA Claims Acknowledgement	<p>Verifies whether your claims have been accepted or rejected for processing consideration.</p> <p>If the file/batch/claim is accepted, the file/batch/claim is forwarded to the Medicare processing system for processing and payment consideration.</p> <p>If the file/batch/claim is rejected, the file/batch/claim errors must be corrected and resubmitted.</p> <p>Rejected file/batch/claims are not forwarded to the Medicare processing system for processing and payment consideration.</p>	<p>Generated within several minutes of the file transmission.</p> <p>Available for retrieval for 60 business days.</p>
X12N 5010 Electronic Remittance Advice (ERA)	Electronic version of the bulky Standard Paper Remittance (SPR).	<p>Generated daily for all customers when claims finalize.</p> <p>Available for retrieval for 60 business days.</p>

### 8.1.1 File Naming Convention for EDI Reports

Table 9. Naming Convention for EDI Reports

Element	Element Description
RRR	Represents the Report/File Type Name
XXXXXXXX	Your File Name
CCCCC	Contract ID
YYYYMMDD	Represents the date the report or file was placed into your mailbox.
HHMMSS	Represents the time of the report in hour, minutes and seconds.
UUUUU	Unique number

Table 10. EDI Reports and File Names

Element	Element Description
X12N 999 Functional Acknowledgement	RRR.XXXXXXX.YYYYMMDD.HHMMSS.UUUUU
X12N 835 ERA	RRR.CCCCC.YYMMDD.HHMMSS.UUUUU
X12N 277 Claim Status Response	RRR.CCCCC.YYYYMMDD.HHMMSS.UUUUU
X12N 277CA Claims Acknowledgement	RRR.XXXXXXX.YYYYMMDD.HHMMSS.UUUUU
X12N TA1 Interchange Acknowledgement	RRR. XXXXXXX.YYYYMMDD.HHMMSS.UUUUU

## 9 Trading Partner Agreement

EDI Trading Partner Agreements ensure the integrity of the electronic transaction process. The Trading Partner Agreement is related to the electronic exchange of information, whether the agreement is an entity or a part of a larger agreement, between each party to the agreement.

Medicare FFS requires all Trading Partners to sign a Trading Partner Agreement with Novitas Solutions, Inc. Novitas Solutions, Inc. provides one fill-and-print [EDI Enrollment form](https://www.novitas-solutions.com/webcenter/portal/MedicareJH/pagebyid?contentId=00004532) (https://www.novitas-solutions.com/webcenter/portal/MedicareJH/pagebyid?contentId=00004532), which includes the Trading Partner Agreement.

Always visit the Novitas Solutions, Inc. website to complete the EDI Enrollment form. This will ensure you are completing and submitting the most recent version of the EDI Enrollment form.

## 10 Transaction-Specific Information

This section defines specific CMS requirements over and above the standard information in the ASC X12N 837D TR3.

### 10.1 Header

The following sub-sections contain specific details associated with header.

#### 10.1.1 Header and Information Source

The following tables define the specific details associated with Header and Information Source:

**Notes:**

- A hyphen in the table below means N/A.

- A new table exists for each segment.

Table 11. ST Transaction Set Header

Page #	Loop ID	Reference	Name	Codes/Content	Length	Notes/Comments
65	N/A	ST02	Transaction Set Control Number	-	9	Novitas Solutions, Inc. will reject an interchange (transmission) that is not submitted with unique values in the ST02 (Transaction Set Control Number) elements.

Table 12. BHT Beginning of Hierarchical Transaction

Page #	Loop ID	Reference	Name	Codes/Content	Length	Notes/Comments
66	N/A	BHT02	Transaction Set Purpose Code	00	2	Must equal "00" (ORIGINAL).
67	N/A	BHT06	Claim/Encounter Identifier	CH	2	Must equal "CH" (CHARGEABLE).

### 10.1.2 Loop 1000A Submitter Name

The following table defines the specific details associated with Loop 1000A Submitter Name:

**Note:** A hyphen in the table below means N/A.

Table 13. Loop 1000A NM1 Submitter Name

Page #	Loop ID	Reference	Name	Codes/Content	Length	Notes/Comments
70	1000A	NM105	Submitter Middle Name or Initial	-	25	The first position must be alphabetic (A-Z).
70	1000A	NM109	Submitter ID	-	80	Novitas Solutions, Inc. will reject an interchange (transmission) that is submitted with a submitter identification number that is not authorized for electronic claim submission. Submitter ID must match the value submitted in ISA06 and GS02.

### 10.1.3 Loop 1000B Receiver Name

The following table defines the specific details associated with Loop 1000B Receiver Name:

**Note:** A hyphen in the table below means N/A.

Table 14. Loop 1000B NM1 Receiver Name

Page #	Loop ID	Reference	Name	Codes/Content	Length	Notes/Comments
75	1000B	NM109	Receiver Primary Identifier	-	80	Novitas Solutions, Inc. will reject an interchange (transmission) that is not submitted with a valid Novitas Solutions, Inc. contractor code. Each individual MAC determines this identifier. Receiver ID must match the value submitted in ISA08 and GS03.

## 10.2 Billing Provider

The following sub-sections contain specific details associated with Billing Provider.

### 10.2.1 Loop 2000A Billing Provider Detail

The following table defines the specific details associated with Loop 2000A Billing Provider.

Table 15. Loop 2000A Billing Provider Detail

Loop ID	Notes/Comments
2000A	The Billing Provider Detail Section of this CG contains no unique CMS Medicare requirements that differ from the TR3. Refer to the TR3 specifications for the following Loops: 2000A, 2010AA, 2010AB.
2010AA	NM109: billing provider must be “associated” to the submitter (from a Trading Partner management perspective) in 1000A NM109. Novitas Solutions, Inc. will provide appropriate direction to VA providers.

### 10.2.2 Loop 2010AA Billing Provider Name

The following table defines the specific details associated with Loop 2010AA Billing Provider Name.

**Note:** A hyphen in the table below means N/A.

Table 16. Loop 2010AA NM1 Billing Provider Name

Page #	Loop ID	Reference	Name	Codes/Content	Length	Notes/Comments
84	2010AA	NM105	Billing Provider Middle Name or Initial	-	25	The first position must be alphabetic (A-Z).

### 10.2.3 Loop 2010AA Billing Provider City, State, Zip Code

The following table defines the specific details associated with Loop 2010AA Billing Provider City, State, Zip Code.

**Note:** A hyphen in the table below means N/A.

Table 17. Loop 2010AA N4 Billing Provider City, State, Zip code

Page #	Loop ID	Reference	Name	Codes/Content	Length	Notes/Comments
88	2010AA	N403	Billing Provider Postal Code	-	15	When the postal code does not include a +4 value, use 9998.

## 10.3 Subscriber Detail

The following sub-sections contain specific details associated with Subscriber.

### 10.3.1 Loop 2000B Subscriber Hierarchical Level

The following tables define the specific details associated with Loop 2000B Subscriber Hierarchical Level.

**Note:** A new table exists for each segment.

Table 18. Loop 2000B HL Subscriber Hierarchical Level

Page #	Loop ID	Reference	Name	Codes/Content	Length	Notes/Comments
110	2000B	HL04	Hierarchical Child Code	0	1	The value accepted is "0"



*Table 19. Loop 2000B SBR Subscriber Information*

Page #	Loop ID	Reference	Name	Codes/Content	Length	Notes/Comments
111	2000B	SBR01	Payer Responsibility Sequence Number Code	P, S	1	The values accepted are "P" or "S".
112	2000B	SBR02	Individual Relationship Code	18	2	For Medicare, the subscriber is always the same as the patient.
113	2000B	SBR09	Claim Filing Indicator Code	MB	2	For Medicare, the subscriber is always the same as the patient.

### 10.3.2 Loop 2010BA Subscriber Name

The following tables define the specific details associated with Loop 2010BA Subscriber Name.

**Notes:**

- A hyphen in the table below means N/A.
- A new table exists for each segment.

*Table 20. Loop 2010BA NM1 Subscriber Name*

Page #	Loop ID	Reference	Name	Codes/Content	Length	Notes/Comments
115	2010BA	NM102	Subscriber Entity Type Qualifier	1	1	The value accepted is 1.
115	2010BA	NM105	Subscriber Middle Name or Initial	-	25	The first position must be alphabetic (A-Z).
115	2010BA	NM108	Subscriber Identification Code Qualifier	MI	2	The value accepted is "MI".

Page #	Loop ID	Reference	Name	Codes/Content	Length	Notes/Comments
116	2010BA	NM109	Subscriber Primary Identifier	-	80	For the Medicare Beneficiary Identifier (MBI): Must be 11 positions in the format of C A A N N A A N N A A N N where "C" represents a constrained numeric 1 thru 9; "A" represents alphabetic character A – Z but excluding S, L, O, I, B, Z; "N" represents numeric 0 thru 9; "AN" represents either "A" or "N".

**Note:** A hyphen in the table below means N/A.

*Table 21. Loop 2010BA DMG Subscriber Demographic Information*

Page #	Loop ID	Reference	Name	Codes/Content	Length	Notes/Comments
120	2010BA	DMG02	Subscriber Birth Date	-	35	Must not be a future date.

### 10.3.3 Loop 2010BB Payer Name

The following table defines the specific details associated with Loop 2010BB Payer Name.

*Table 22. Loop 2010BB NM1 Payer Name*

Page #	Loop ID	Reference	Name	Codes/Content	Length	Notes/Comments
125	2010BB	NM108	Payer Identification Code Qualifier	PI	2	The value accepted is "PI".

## 10.4 Patient Detail

The following sub-sections contain specific requirements for the Patient Detail.

### 10.4.1 Loop 2300 Claim Information

The following tables define the specific details associated with Loop 2300 Claim Information.

**Notes:**

- A hyphen in the table below means N/A.
- A new table exists for each segment.

*Table 23. Loop 2300 CLM Claim Information*

Page #	Loop ID	Reference	Name	Codes/Content	Length	Notes/Comments
146	2300	CLM01	Patient Control Number	-	38	Only 20 characters will be stored and returned by Medicare.
147	2300	CLM02	Total Claim Charge Amount	-	18	Must be $\geq 0$ and $\leq 99,999.9$ . When Medicare is primary payer, CLM02 must equal the sum of all SV102 service line charge amounts. When Medicare is Secondary. Total Submitted Charges (CLM02) must equal the sum of all 2320 & 2430 CAS amounts and the 2320 AMT02 (AMT01=D).
147	2300	CLM05-3	Claim Frequency Code	1	1	Must be equal to "1" (ORIGINAL).
151	2300	CLM20	Delay Reason Code	-	2	Data submitted in CLM20 will not be used for processing.

**Notes:**

- A hyphen in the table below means N/A.
- A new table exists for each segment.

*Table 24. Loop 2300 DTP Date Elements*

Page #	Loop ID	Reference	Name	Codes/Content	Length	Notes/Comments
152	2300	DTP03	Accident Date	-	35	Must not be a future date.
153	2300	DTP03	Orthodontic Banding Date	-	35	Must not be a future date.
154	2300	DTP03	Service Date	-	35	Must not be a future date.
155	2300	DTP03	Repricer Received Date	-	35	Must not be a future date.

In the table below, for Loop 2300 Claim Supplement Information, only the first iteration of the PWK, at either the claim level and/or line level, will be considered in the claim adjudication.

*Table 25. Loop 2300 PWK Claim Supplement Information*

Page #	Loop ID	Reference	Name	Codes/Content	Length	Notes/Comments
160	2300	PWK02	Attachment Transmission Code	BM, FX, EL, FT	2	Must be “BM”, “FX”, “EL”, or “FT”.

**Note:** A hyphen in the table below means N/A.

*Table 26. Loop 2300 HI Health Care Diagnosis Code*

Page #	Loop ID	Reference	Name	Codes/Content	Length	Notes/Comments
181	2300	HI01-2	Health Care Diagnosis Code	-	30	A valid diagnosis is required. Claims that do not contain a valid diagnosis (pointed to or not) will be rejected for claims with date of receipt on and after 1/1/25.

### 10.4.2 Loop 2310A Referring Provider Name

The following table defines the specific details associated with Loop 2310A Referring Provider Name.

**Note:** A hyphen in the table below means N/A.

*Table 27. Loop 2310A NM1 Referring Provider Name*

Page #	Loop ID	Reference	Name	Codes/Content	Length	Notes/Comments
191	2310A	NM105	Referring Provider Middle Name or Initial	-	25	The first position must be alphabetic (A-Z).

### 10.4.3 Loop 2310B Rendering Provider Name

The following table defines the specific details associated with Loop 2310B Rendering Provider Name.

**Note:** A hyphen in the table below means N/A.

*Table 28. Loop 2310B NM1 Rendering Provider Name*

Page #	Loop ID	Reference	Name	Codes/Content	Length	Notes/Comments
197	2310B	NM105	Rendering Provider Middle Name or Initial	-	25	The first position must be alphabetic (A-Z).

### 10.4.4 Loop 2310C Service Facility Location

The following table defines the specific details associated with Loop 2310C Service Facility Location.

**Note:** A hyphen in the table below means N/A.

*Table 29. Loop 2310C N4 Service Facility Location*

Page #	Loop ID	Reference	Name	Codes/Content	Length	Notes/Comments
207	2310C	N403	Service Facility Location Postal Code	-	15	When the postal code does not include a +4 value, use 9998.

### 10.4.5 Loop 2310E Supervising Provider Name

The following table defines the specific details associated with Loop 2310E Supervising Provider Name.

**Note:** A hyphen in the table below means N/A.

*Table 30. Loop 2310E NM1 Supervising Provider Name*

Page #	Loop ID	Reference	Name	Codes/Content	Length	Notes/Comments
217	2310E	NM105	Supervising Provider Middle Name or Initial	-	25	The first position must be alphabetic (A-Z).

### 10.4.6 Loop 2320 Other Subscriber Information

The following tables define the specific details associated with Loop 2320 Other Subscriber Information.

**Note:**

- A hyphen in the table below means N/A.
- A new table exists for each segment.

*Table 31. Loop 2320 SBR Other Subscriber Information*

Page #	Loop ID	Reference	Name	Codes/Content	Length	Notes/Comments
222	2320	SBR01	Payer Responsibility Sequence Number Code	-	1	2320 SBR01 = "P" must be present when 2000B SBR01 = "S".
224	2320	SBR09	Claim Filing Indicator Code	-	2	The value cannot be "MA" or "MB".

In the table below, for Loop 2320 Claim Level Adjustments, CAS segment must not be present when 2000B SBR01 = "P".

**Note:** A hyphen in the table below means N/A.

*Table 32. Loop 2320 CAS Claim Level Adjustments*

Page #	Loop ID	Reference	Name	Codes/Content	Length	Notes/Comments
227	2320	CAS01	Claim Level Adjustments	-	2	CAS segment must not be present when 2000B SBR01 = "P".

*Table 33. Loop 2320 AMT COB Payer Paid Amount*

Page #	Loop ID	Reference	Name	Codes/Content	Length	Notes/Comments
231	2320	AMT01	Coordination of Benefits (COB) Payer Paid Amount	D	3	Medicare requires one occurrence of 2320 loop with an AMT segment AMT01 = "D" must be present when 2000B SBR01 = "S".

### 10.4.7 Loop 2330A Other Subscriber Name

The following tables define the specific details associated with Loop 2330A Other Subscriber Name.

**Note:**

- A hyphen in the table below means N/A.
- A new table exists for each segment.

*Table 34. Loop 2330A NM1 Other Subscriber Name*

Page #	Loop ID	Reference	Name	Codes/Content	Length	Notes/Comments
240	2330A	NM105	Other Insured Middle Name	-	25	The first position must be alphabetic (A-Z).

**Note:** A hyphen in the table below means N/A.

*Table 35. Loop 2330A REF Other Subscriber Secondary Identification*

Page #	Loop ID	Reference	Name	Codes/Content	Length	Notes/Comments
245	2330A	REF02	Other Insured Additional Identifier	-	9	Must be 9 digits with no punctuation. First 3 digits cannot be higher than "272". Digits 1-3, 4-5, and 6-9 cannot be zeros (0).

### 10.4.8 Loop 2330B Other Payer Name

The following table defines the specific details associated with Loop 2330B Other Payer Name.

**Note:** A hyphen in the table below means N/A.

Table 36. Loop 2330B DTP Claim Check or Remittance Date

Page #	Loop ID	Reference	Name	Codes/Content	Length	Notes/Comments
251	2330B	DTP03	Adjudication or Payment Date	-	35	Must not be a future date.

### 10.4.9 Loop 2400 Service Line Number

The following table defines the specific details associated with Loop 2400 Service Line Number.

**Note:**

- A hyphen in the table below means N/A.
- A new table exists for each segment.

Table 37. Loop 2400 SV3 Dental Service

Page #	Loop ID	Reference	Name	Codes/Content	Length	Notes/Comments
282	2400	SV301-1	Product or Service ID Qualifier	AD	2	Must be "AD".
284	2400	SV302	Line Item Charge Amount	-	18	SV302 must be greater than 0. SV302's decimal positions are limited to 0, 1, or 2.
286	2400	SV306	Procedure Count	-	15	Must be > 0 with maximum of 4 whole numbers and 1 decimal position (cannot exceed 9999.9).

**Note:** A hyphen in the table below means N/A.

Table 38. Loop 2400 DTP Service Date

Page #	Loop ID	Reference	Name	Codes/Content	Length	Notes/Comments
290	2400	DTP03	Service Date	-	35	Must not be a future date.



Page #	Loop ID	Reference	Name	Codes/Content	Length	Notes/Comments
291	2400	DTP03	Prior Placement Date	-	35	Must not be a future date.
292	2400	DTP03	Orthodontic Banding Date	-	35	Must not be future date.
293	2400	DTP03	Replacement Date	-	35	Must not be a future date.
294	2400	DTP03	Treatment Start Date	-	35	Must not be a future date.
295	2400	DTP03	Treatment Completion Date	-	35	Must not be a future date.

### 10.4.10 Loop 2420A Rendering Provider Name

The following table defines the specific details associated with Loop 2420A Rendering Provider Name.

**Note:** A hyphen in the table below means N/A.

*Table 39. Loop 2420A NM1 Rendering Provider Name*

Page #	Loop ID	Reference	Name	Codes/Content	Length	Notes/Comments
317	2420A	NM105	Rendering Provider Middle Name or Initial	-	25	The first position must be alphabetic (A-Z).

### 10.4.11 Loop 2420C Supervising Provider Name

The following table defines the specific details associated with Loop 2420D Supervising Provider Name.

**Note:** A hyphen in the table below means N/A.

*Table 40. Loop 2420C NM1 Supervising Provider Name*

Page #	Loop ID	Reference	Name	Codes/Content	Length	Notes/Comments
329	2420C	NM105	Supervising Provider Middle Name or Initial	-	25	First position of Supervising Provider Middle Name must be alphabetic (A-Z).

### 10.4.12 Loop 2420D Service Facility Location

The following table defines the specific details associated with Loop 2420D Service Facility Location.

**Note:** A hyphen in the table below means N/A.

Table 41. Loop 2420D N4 Service Facility Location

Page #	Loop ID	Reference	Name	Codes/Content	Length	Notes/Comments
338	2420D	N403	Service Facility Location Postal Code	-	15	When the postal code does not include a +4 value, use 9998.

### 10.4.13 Loop 2430 Line Adjudication Information

The following tables define the specific details associated with Loop 2430 Line Adjudication Information.

**Notes:**

- A hyphen in the table below means N/A.
- A new table exists for each segment.

Table 42. Loop 2430 SVD Line Adjudication Information

Page #	Loop ID	Reference	Name	Codes/Content	Length	Notes/Comments
342	2430	SVD03-1	Product or Service ID Qualifier	AD	2	Must be "AD". Claims with "ER" will be rejected.
344	2430	SVD05	Paid Service Unit Count	-	15	Must not exceed 4 whole numbers and one decimal position. Must be a value greater than or equal to 0 and less than or equal to 9999.9
344	2430	SVD06	Bundled or Unbundled Line Number	-	6	Must be an integer (no decimals).

**Note:** A hyphen in the table below means N/A.

*Table 43. Loop 2430 DTP Line Check or Remittance Date*

Page #	Loop ID	Reference	Name	Codes/Content	Length	Notes/Comments
351	2430	DTP03	Adjudication or Payment Date	-	35	Must not be a future date.

## 10.4.14 Transaction Set Trailer

The following table defines the specific details associated with the Transaction Set Trailer.

**Note:** A hyphen in the table below means N/A.

*Table 44. SE Transaction Set Trailer*

Page #	Loop ID	Reference	Name	Codes/Content	Length	Notes/Comments
353	N/A	SE02	Transaction Set Control Number	-	9	Must have the same value as ST02. Must be greater than zero.

## 11 Appendices

### 11.1 Implementation Checklist

Complete the following checklist as you prepare to go live with EDI exchange.

*Table 45. EDI Implementation Checklist*

Action	Additional Information
Choose a Software Product	For more information, refer to the <a href="https://www.novitas-solutions.com/webcenter/portal/MedicareJH/pagebyid?contentId=00004559">EDI Reference Guide</a> (https://www.novitas-solutions.com/webcenter/portal/MedicareJH/pagebyid?contentId=00004559).
Complete EDI Enrollment form	The EDI Enrollment form is located on the <a href="https://www.novitas-solutions.com/webcenter/portal/MedicareJH/pagebyid?contentId=00004532">Novitas website</a> (https://www.novitas-solutions.com/webcenter/portal/MedicareJH/pagebyid?contentId=00004532)
Read the CG	This guide helps with the setup of your transactions, testing and viewing reports.

Action	Additional Information
Send a Test File	Test requirements are provided in Section 3 of this CG, Testing and Certification Requirements.
Pull your Reports	Reports are available within a few minutes of transmitting a test file. For more information, see Section 7 of this CG, Acknowledgements and Reports.
Send Production Files	Once your testing has been approved, you will be able to send in production. Change the ISA to “P” and always remember to pull your reports. Incoming file names should not include an apostrophe (') as this causes errors in the file being received through TIBCO.
Send a Claim Status Request	Request status of a claim using the 276 Claim Status Request transaction
Read Publications	Novitas Solutions, Inc. sends emails to those who have joined our mailing list. We also publish newsletters on our website. For more information on joining our mailing list, refer to Section 2.1 of this CG, Working Together.

## 11.2 Frequently Asked Questions

Frequently asked questions can be accessed at [Medicare FFS EDI Operations](https://www.cms.gov/ElectronicBillingEDITrans/) (https://www.cms.gov/ElectronicBillingEDITrans/) and the [Novitas Solutions website](https://www.novitas-solutions.com/webcenter/portal/MedicareJH/pagebyid?contentId=00004548) (https://www.novitas-solutions.com/webcenter/portal/MedicareJH/pagebyid?contentId=00004548).

## 11.3 Acronym Listing

Table 46. Acronyms Listing and Definitions

Acronym	Definition
276	276 Claim Status Request transaction
277	277 Claim Status Response transaction
277CA	277 Claim Acknowledgement
835	835 Electronic Remittance Advice transaction
837P	837 Professional Claims transaction
837I	837 Institutional Claims transaction
837D	837 Dental Claims transaction
999	Implementation Acknowledgment
ASC	Accredited Standards Committee
CAQH CORE	Council for Affordable Quality Healthcare – Committee on Operating Rules for Information Exchange
CEDI	Common Electronic Data Interchange
CG	Companion Guide
CMS	Centers for Medicare & Medicaid Services
CMN	Certificate of Medical Necessity
COB	Coordination of Benefits
DME	Durable Medical Equipment
EDI	Electronic Data Interchange
ERA	Electronic Remittance Advice
FFS	Fee-For-Service
FISMA	Federal Information Security Management Act
GS/GE	GS – Functional Group Header / GE – Functional Group Trailer
HCPCS	Healthcare Common Procedure Coding System
HIPAA	Health Insurance Portability and Accountability Act of 1996
HTTP	Hyper Text Transfer Protocol
HTTPS	Hyper Text Transfer Protocol Secure
IOM	Internet-only Manual

Acronym	Definition
ISA/IEA	ISA – Interchange Control Header / IEA – Interchange Control Trailer
MAC	Medicare Administrative Contractor
MBI	Medicare Beneficiary Identifier
MIME	Multipurpose Internet Mail Extensions
NCPDP	National Council for Prescription Drug Programs
NPI	National Provider Identifier
NSV	Network Service Vendor
PDAC	Pricing, Data Analysis and Coding
PECOS	Provider Enrollment Chain and Ownership System
PHI	Protected Health Information
PID	Packet Identifier
sFTP	Secure File Transfer Protocol
SOAP	Simple Object Access Protocol
ST/SE	ST – Transaction Set Header / SE – Transaction Set Trailer
TA2	Interchange Acknowledgment
TR3	Technical Report Type 3
TRN	Transaction Acknowledgment report (CEDI proprietary report)
WSDL	Web Services Description Language
X12	A standards development organization that develops EDI standards and related documents for national and global markets. (See the official ASC X12 website.)
X12N	Insurance subcommittee of X12

## 11.4 Change Summary

The following table details the version history of this CG.

*Table 47. Companion Guide Version History*

Version	Date	Section(s) Changed	Change Summary
1.0	May 2024	All	Created Document